

# Vibration, Shock, Motion and Noise Control



for Aircraft  
Interiors

**LORD**

*SOLUTIONS FOR A WORLD IN MOTION*

# The LORD Advantage...Increase Passenger Comfort and Reduce Lower Maintenance Costs and

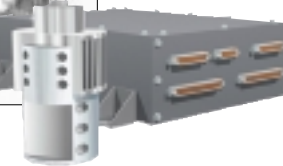
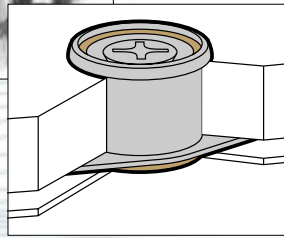


## Elastomeric Isolators for Interior Panels & Floors

Lord elastomeric interior and floor

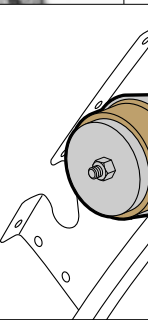
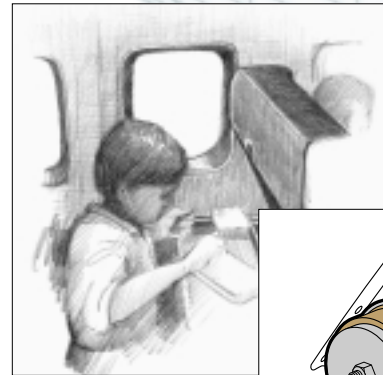
panel isolators

are used to reduce noise and vibration to improve passenger comfort and reduce stress on components.



## Active Noise and Vibration Control (NVX™)

The *first* Active Noise and Vibration Control System approved by the FAA for the DC-9/MD-80, NVX reduces noise and vibration dramatically – by as much as 15-30 dB.

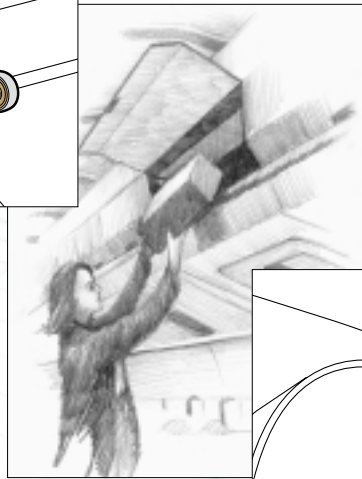
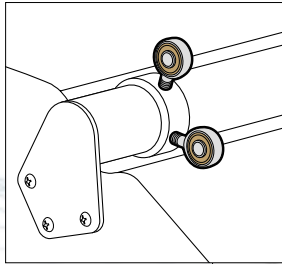


# Increased Passenger Comfort, Improved Equipment Reliability



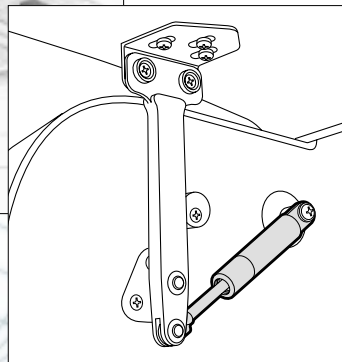
## Elastomeric Rod Ends

Lord elastomeric rod ends isolate noise and high-frequency vibration while providing effective shock attenuation in areas such as the galley, stowage bins, bulkheads/monuments, utility channels, crew rests, lavatory, and for sensitive equipment.



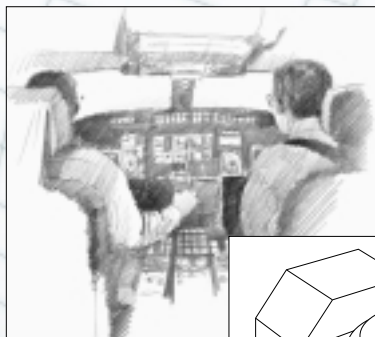
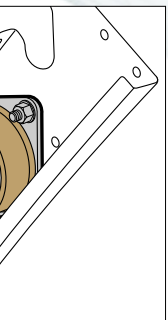
## Hold Open Rods

Used in stowage bins, engine cowlings, galley access doors and for passenger seat backs, Lord hold open rods can provide significant performance and weight advantages over conventional struts. With no fluids to leak, they are highly reliable and need no maintenance or servicing.



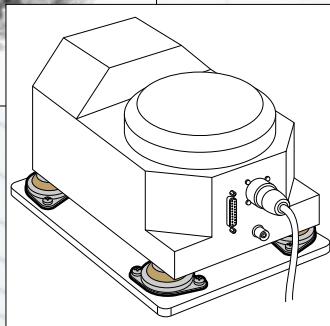
## Tuned Vibration Absorbers (TVAs)

Lord TVAs reduce cabin noise up to 4dB and frame vibration up to 10dB to noticeably improve passenger comfort.



## Elastomeric Isolators for Electronic Equipment

Lord produces a number of standard and custom products to protect and support instrumentation monitoring and sensing devices, display units, and a wide range of control systems and components, including inertial guidance and navigation systems, global positioning units, radar system components, pressure sensors, fuel controls and oil coolers.



# LORD

SOLUTIONS FOR A WORLD IN MOTION

## Proven Solutions

From our first rubber-to-metal engine mount in the 1930s to today's advanced active control systems, Lord Corporation has developed real-world solutions for the aerospace industry's toughest problems. In addition to our standard products, we develop custom, high-performance products for military and commercial applications on aircraft, spacecraft, ships and ground vehicles. Customers rely on our expertise in:

- Acoustic and vibration problem diagnosis
- Product design, development and manufacturing
- Dynamic vibration and noise testing
- Complete system optimization.

Lord products are available around the world through a service and support network that includes offices throughout North America, Europe and Asia.

### Lord Corporation Mechanical Products Division

2000 West Grandview Blvd.  
P.O. Box 10038  
Erie, PA 16514-0038  
Tel: 814/868-5424  
Toll Free: 877/494-0399  
Fax: 814/864-3452  
[www.lordmpd.com](http://www.lordmpd.com)

#### *International Offices:*

**Lord S. A.**  
Immeuble Strategy Ctr.  
10 Rue des Gaudines  
F78100 Saint Germain-en-Laye  
France  
Tel: +33 (1) 3087-0578  
Fax: +33 (1) 3087-0827

**Lord Singapore**  
1 Marine Parade Central  
#13-01 Parkway Centre  
Singapore 449408  
Tel: +65-346-3082  
Fax: +65-348-6928

The logo for LORD Corporation, featuring the word "LORD" in a bold, red, sans-serif font. The letter "O" is stylized with a white circle inside it.

SOLUTIONS FOR A WORLD IN MOTION